

# CS8161

## 12 V, 5.0 V Low Dropout Dual Regulator with ENABLE

The CS8161 is a 12 V/5.0 V dual output linear regulator. The 12 V  $\pm$ 5.0% output sources 400 mA and the 5.0 V  $\pm$ 2.0% output sources 200 mA.

The on board ENABLE function controls the regulator's two outputs. When the ENABLE pin is low, the regulator is placed in SLEEP mode. Both outputs are disabled and the regulator draws only 200 nA of quiescent current.

The primary output,  $V_{OUT1}$  is protected against overvoltage conditions. Both outputs are protected against short circuit and thermal runaway conditions.

The CS8161 is packaged in a 5 lead TO-220 with copper tab. The copper tab can be connected to a heat sink if necessary.

### Features

- Two Regulated Outputs
  - 12 V  $\pm$ 5.0%; 400 mA
  - 5.0 V  $\pm$ 2.0%; 200 mA
- Very Low SLEEP Mode Current Drain 200 nA
- Fault Protection
  - Reverse Battery ( $-15$  V)
  - 74 V Load Dump
  - $-100$  V Reverse Transient
  - Short Circuit
  - Thermal Shutdown
- Pb-Free Packages are Available\*

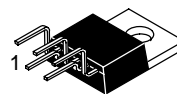


ON Semiconductor®

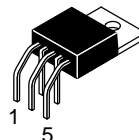
<http://onsemi.com>



TO-220  
FIVE LEAD  
T SUFFIX  
CASE 314D

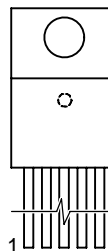


TO-220  
FIVE LEAD  
TVA SUFFIX  
CASE 314K



TO-220  
FIVE LEAD  
THA SUFFIX  
CASE 314A

### PIN CONNECTIONS



Tab = GND

Pin 1.  $V_{IN}$   
2.  $V_{OUT1}$   
3. GND  
4. ENABLE  
5.  $V_{OUT2}$

### DEVICE MARKING INFORMATION

See general marking information in the device marking section on page 9 of this data sheet.

### ORDERING INFORMATION

See detailed ordering and shipping information in the package dimensions section on page 9 of this data sheet.

\*For additional information on our Pb-Free strategy and soldering details, please download the ON Semiconductor Soldering and Mounting Techniques Reference Manual, SOLDERRM/D.

# CS8161

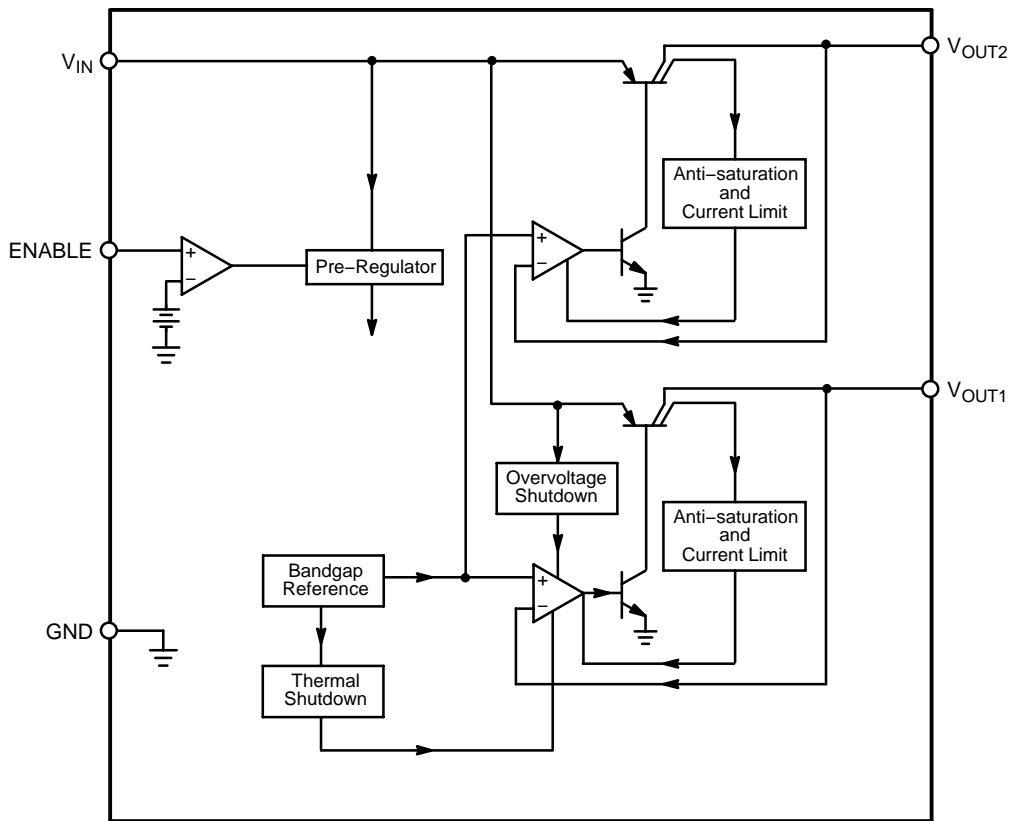


Figure 1. Block Diagram

## ABSOLUTE MAXIMUM RATINGS

Rating	Value	Unit
Input Voltage:	Operating Range	-15 to 26 V
	Overvoltage Protection	74 V
Internal Power Dissipation	Internally Limited	-
Junction Temperature Range	-40 to +150	°C
Storage Temperature Range	-65 to +150	°C
Lead Temperature Soldering	Wave Solder (through hole styles only) (Note 1)	260 peak °C
	Reflow (SMD styles only) (Note 2)	230 peak °C
ESD (Human Body Model)	2.0	kV

Stresses exceeding Maximum Ratings may damage the device. Maximum Ratings are stress ratings only. Functional operation above the Recommended Operating Conditions is not implied. Extended exposure to stresses above the Recommended Operating Conditions may affect device reliability.

1. 10 second maximum.
2. 60 second maximum above 183°C

# CS8161

**ELECTRICAL CHARACTERISTICS for  $V_{OUT}$ :** ( $6.0\text{ V} \leq V_{IN} \leq 26\text{ V}$ ;  $I_{OUT1} = 5.0\text{ mA}$ ;  $I_{OUT2} = 5.0\text{ mA}$ ;  
 $-40^{\circ}\text{C} \leq T_J \leq +150^{\circ}\text{C}$ ;  $-40^{\circ}\text{C} \leq T_A \leq +125^{\circ}\text{C}$ ; unless otherwise specified.)

Characteristic	Test Conditions	Min	Typ	Max	Unit
<b>PRIMARY OUTPUT STAGE (<math>V_{OUT1}</math>)</b>					
Output Voltage, $V_{OUT1}$	$13\text{ V} \leq V_{IN} \leq 26\text{ V}$ , $I_{OUT1} \leq 400\text{ mA}$	11.4	12.0	12.6	V
Dropout Voltage	$I_{OUT1} = 400\text{ mA}$	–	0.35	0.6	V
Line Regulation	$13\text{ V} \leq V_{IN} \leq 20\text{ V}$ , $5.0\text{ mA} \leq I_{OUT} < 400\text{ mA}$	–	–	80	mV
Load Regulation	$5.0\text{ mA} \leq I_{OUT1} \leq 400\text{ mA}$ , $V_{IN} = 14\text{ V}$	–	–	80	mV
Quiescent Current	$I_{OUT1} \leq 100\text{ mA}$ , No Load on $V_{OUT2}$ $I_{OUT1} \leq 400\text{ mA}$ , No Load on $V_{OUT2}$	– –	8.0 50	12 75	mA mA
Ripple Rejection	$f = 120\text{ Hz}$ , $I_{OUT} = 300\text{ }\mu\text{A}$ , $V_{IN} = 15.0\text{ V}_{DC}$ , $2.0\text{ V}_{RMS}$	42	–	–	dB
Current Limit	–	0.40	–	1.0	A
Reverse Polarity Input Voltage, DC	$V_{OUT1} \geq -0.6\text{ V}$ , $10\text{ }\Omega$ Load	–	–30	–18	V
Reverse Polarity Input Voltage, Transient	1.0% Duty Cycle, $t = 100\text{ ms}$ , $V_{OUT} \geq -6.0\text{ V}$ , $10\text{ }\Omega$ Load	–	–80	–50	V
Overshoot Shutdown	–	28	34	45	V
Short Circuit Current	–	–	–	700	mA

<b>SECONDARY OUTPUT (<math>V_{OUT2}</math>)</b>					
Output Voltage, ( $V_{OUT2}$ )	$6.0\text{ V} \leq V_{IN} \leq 26\text{ V}$ , $I_{OUT2} \leq 200\text{ mA}$	4.90	–	5.10	V
Dropout Voltage	$I_{OUT2} \leq 200\text{ mA}$	–	0.35	0.60	V
Line Regulation	$6.0\text{ V} \leq V_{IN} \leq 26\text{ V}$ , $1.0\text{ mA} \leq I_{OUT} \leq 200\text{ mA}$	–	–	50	mV
Load Regulation	$1.0\text{ mA} \leq I_{OUT2} \leq 200\text{ mA}$ ; $V_{IN} = 14\text{ V}$	–	–	50	mV
Quiescent Current	$I_{OUT2} = 50\text{ mA}$ $I_{OUT2} = 200\text{ mA}$	– –	5.0 20	10 35	mA mA
Ripple Rejection	$f = 120\text{ Hz}$ ; $I_{OUT} = 10\text{ mA}$ , $V_{IN} = 15\text{ V}$ , $2.0\text{ V}_{RMS}$	42	–	–	dB
Current Limit	–	200	–	600	mA
Short Circuit Current	–	–	–	400	mA

<b>ENABLE FUNCTION (ENABLE)</b>					
Input ENABLE Threshold	$V_{OUT1}$ Off $V_{OUT1}$ On	– 2.00	1.30 1.30	0.80 –	V V
Input ENABLE Current	$V_{ENABLE} = 5.5\text{ V}$ $V_{ENABLE} < 0.8\text{ V}$	80 –10	– –	500 10	$\mu\text{A}$ $\mu\text{A}$

<b>OTHER FEATURES</b>					
Sleep Mode	$V_{ENABLE} < 0.4\text{ V}$	–	0.2	50	$\mu\text{A}$
Thermal Shutdown	–	150	–	210	$^{\circ}\text{C}$
Quiescent Current in Dropout	$I_{OUT1} = 100\text{ mA}$ , $I_{OUT2} = 50\text{ mA}$	–	–	60	mA

## PACKAGE PIN DESCRIPTION

PACKAGE LEAD # 5 Lead TO–220	LEAD SYMBOL	FUNCTION
1	$V_{IN}$	Supply voltage, usually direct from battery.
2	$V_{OUT1}$	Regulated output 12 V, 400 mA (typ).
3	GND	Ground connection.
4	ENABLE	CMOS compatible input lead; switches outputs on and off. When ENABLE is high $V_{OUT1}$ and $V_{OUT2}$ are active.
5	$V_{OUT2}$	Regulated output 5.0 V, 200 mA (typ).

TYPICAL PERFORMANCE CHARACTERISTICS

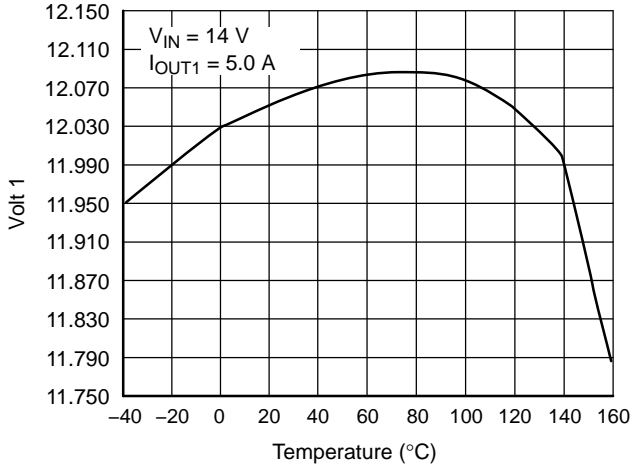


Figure 2. Output Voltage vs. Temperature for  $V_{OUT1}$

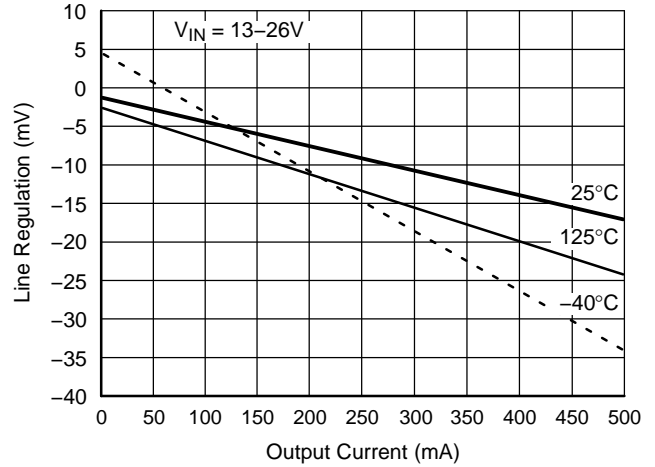


Figure 3. Line Regulation vs. Output Current for  $V_{OUT1}$

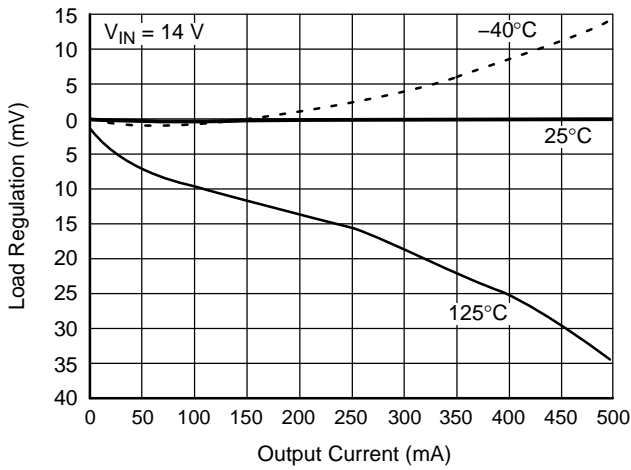


Figure 4. Load Regulation vs. Output Current for  $V_{OUT1}$

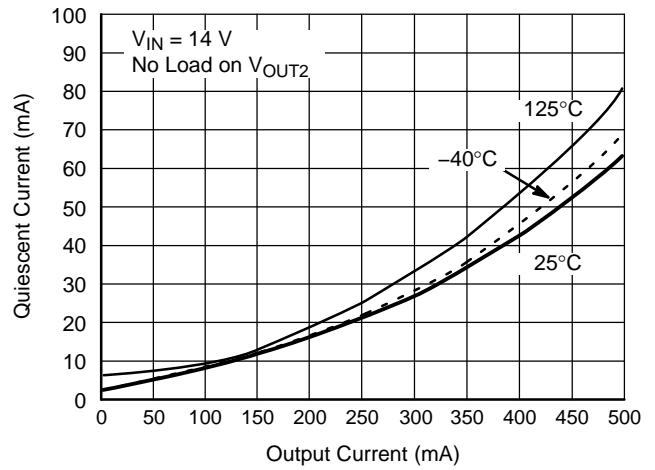


Figure 5. Quiescent Current vs. Output Current for  $V_{OUT1}$

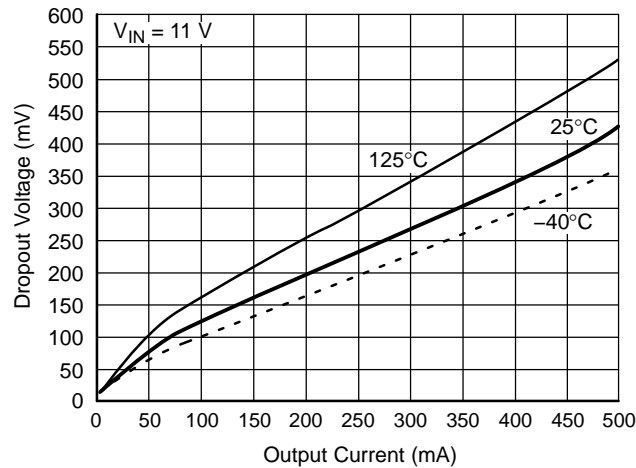


Figure 6. Dropout Voltage vs. Output Voltage for  $V_{OUT1}$

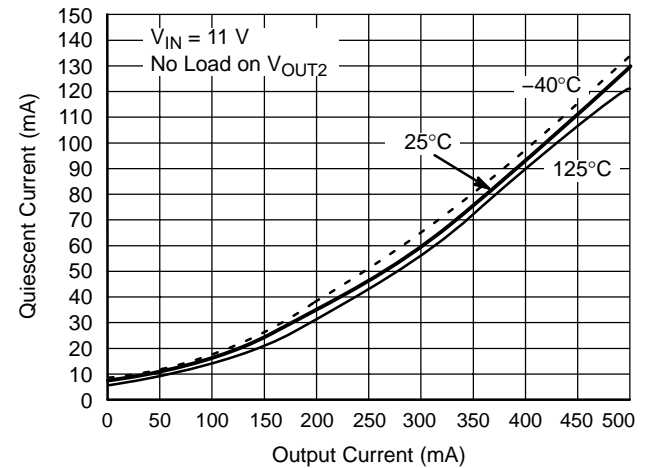


Figure 7. Quiescent Current vs. Output Current @ Dropout for  $V_{OUT1}$

TYPICAL PERFORMANCE CHARACTERISTICS (continued)

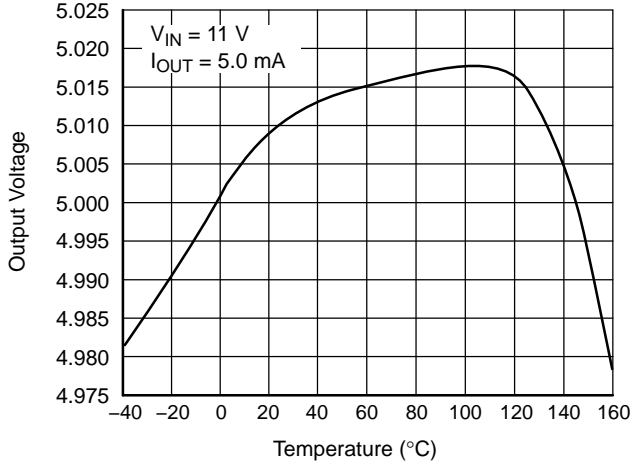


Figure 8. Output Voltage vs. Temperature for  $V_{OUT2}$

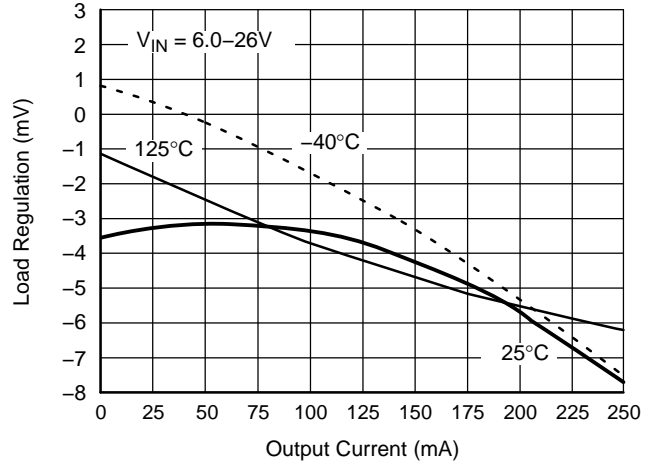


Figure 9. Line Regulation vs. Output Current for  $V_{OUT2}$

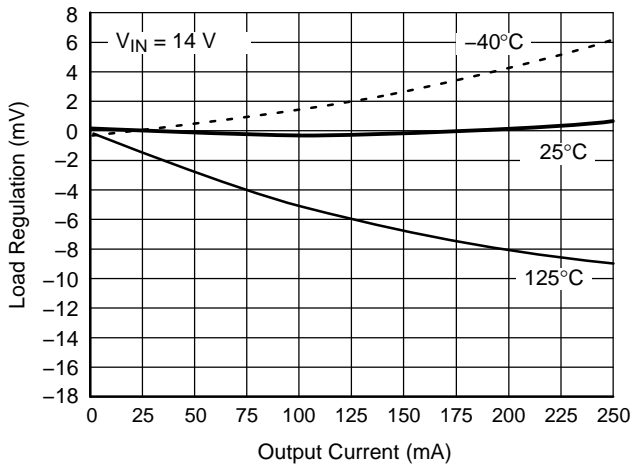


Figure 10. Load Regulation vs. Output Current for  $V_{OUT2}$

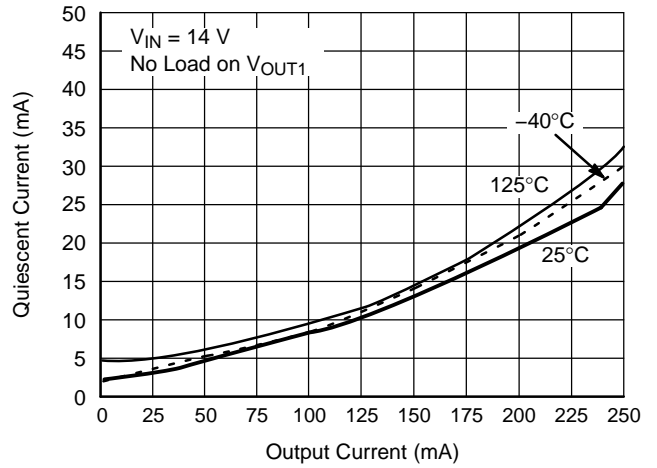


Figure 11. Quiescent Current vs. Output Current for  $V_{OUT2}$

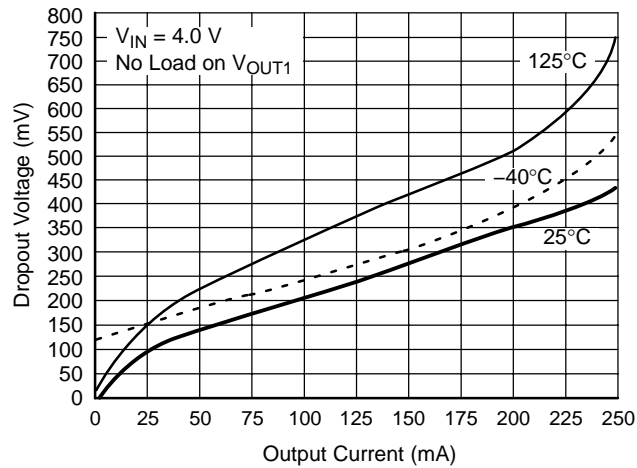


Figure 12. Dropout Voltage vs. Output Current for  $V_{OUT2}$

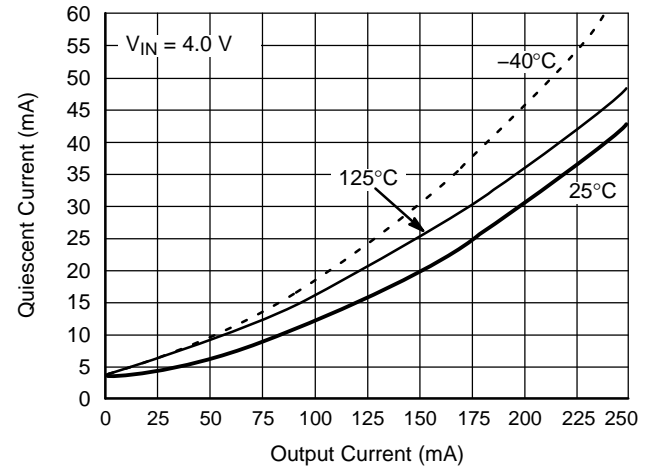


Figure 13. Quiescent Current vs. Output Current @ Dropout for  $V_{OUT2}$

TYPICAL PERFORMANCE CHARACTERISTICS (continued)

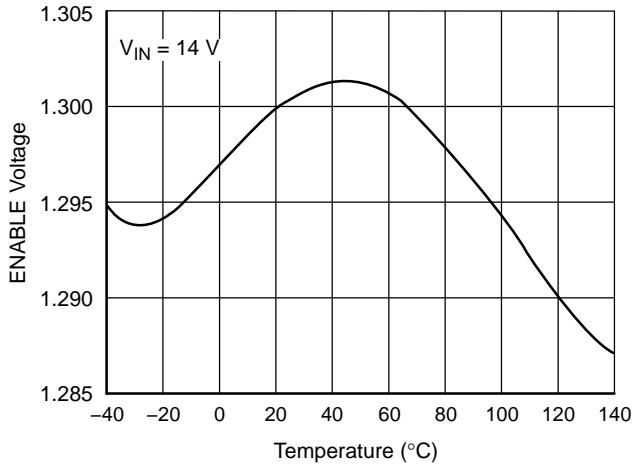


Figure 14. Enable Threshold Voltage vs. Temperature

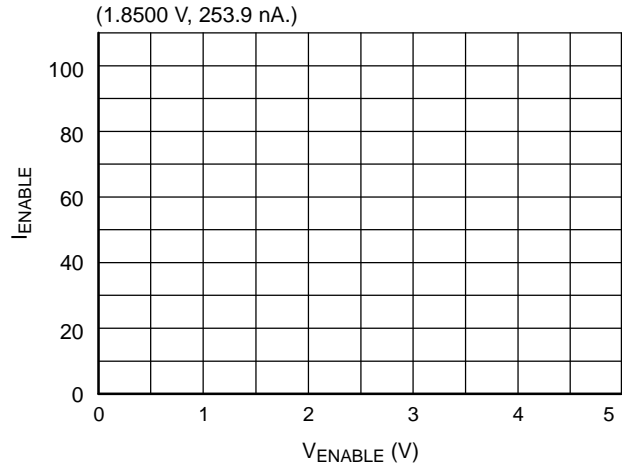


Figure 15. ENABLE Current vs. ENABLE Voltage

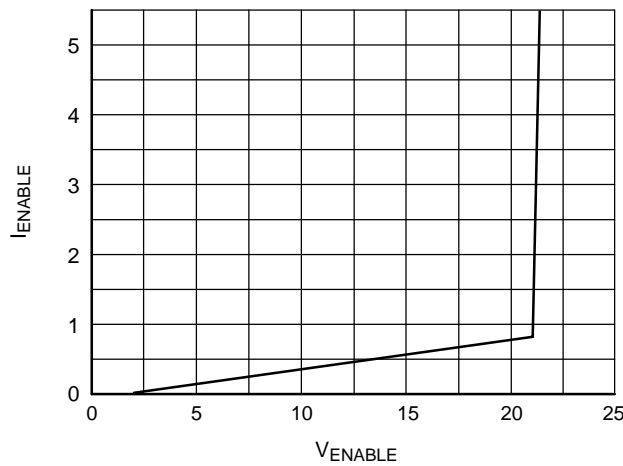


Figure 16. 12 mA ENABLE Current vs. ENABLE Voltage

DEFINITION OF TERMS

**Dropout Voltage** – The input–output voltage differential at which the circuit ceases to regulate against further reduction in input voltage. Measured when the output voltage has dropped 100 mV from the nominal value obtained at 14 V input, dropout voltage is dependent upon load current and junction temperature.

**Input Voltage** – The DC voltage applied to the input terminals with respect to ground.

**Input Output Differential** – The voltage difference between the unregulated input voltage and the regulated output voltage for which the regulator will operate.

**Line Regulation** – The change in output voltage for a change in the input voltage. The measurement is made under conditions of low dissipation or by using pulse techniques such that the average chip temperature is not significantly affected.

**Load Regulation** – The change in output voltage for a change in load current at constant chip temperature.

**Long Term Stability** – Output voltage stability under accelerated life–test conditions after 1000 hours with maximum rated voltage and junction temperature.

**Output Noise Voltage** – The rms AC voltage at the output, with constant load and no input ripple, measured over a specified frequency range.

**Quiescent Current** – The part of the positive input current that does not contribute to the positive load current, i.e., the regulator ground lead current.

**Ripple Rejection** – The ratio of the peak–to–peak input ripple voltage to the peak–to–peak output ripple voltage.

**Temperature Stability of V<sub>OUT</sub>** – The percentage change in output voltage for a thermal variation from room temperature to either temperature extreme.

## CS8161

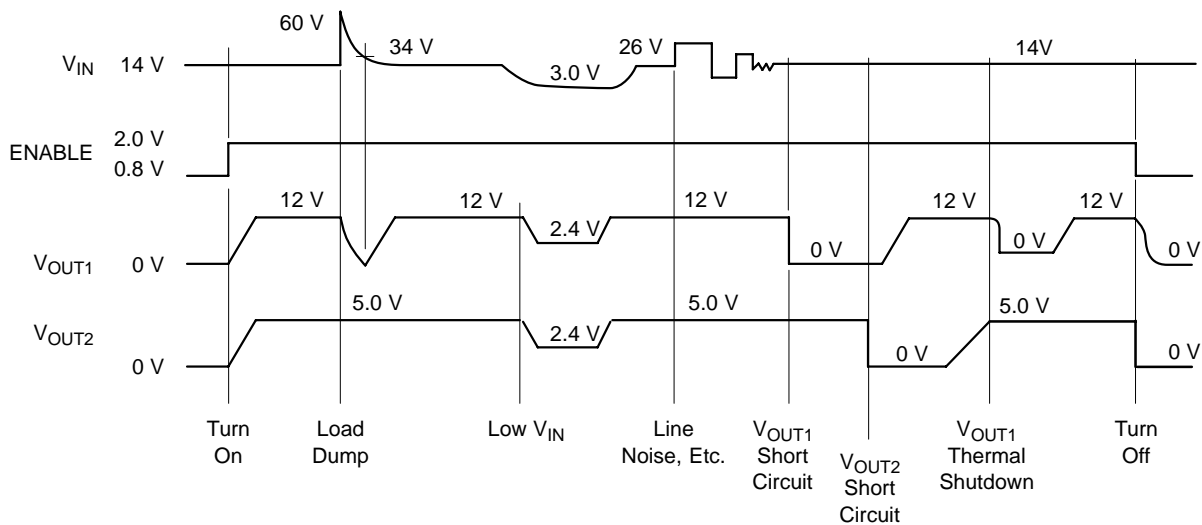
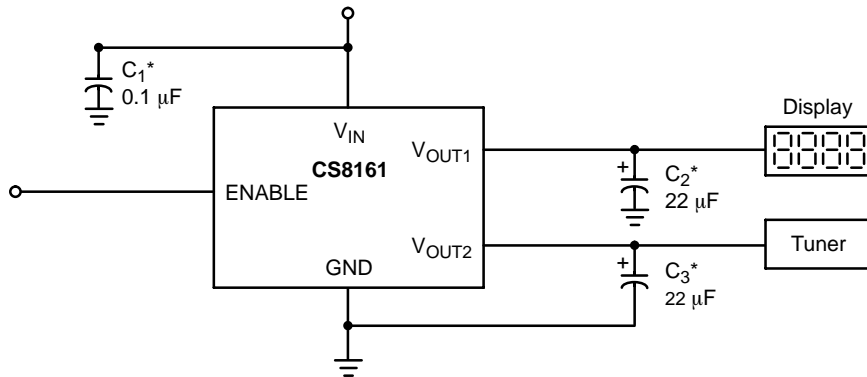


Figure 17. Typical Circuit Waveform

### APPLICATION DIAGRAM



\*  $C_1$  required if regulator is located far from power supply filter.

\*\*  $C_2$ ,  $C_3$  required for stability, value may be increased. Capacitor must operate at minimum temperature expected.

Figure 18. Application Diagram

### APPLICATION NOTES

Since both outputs are controlled by the same ENABLE, the CS8161 is ideal for applications where a sleep mode is required. Using the CS8161, a section of circuitry such as a display and nonessential 5.0 V circuits can be shut down under microprocessor control to conserve energy.

The example in the Applications Diagram (Figure 18) shows an automotive radio application where the display is powered by the 12 V on  $V_{OUT1}$  and the Tuner IC is powered by the 5.0 V on  $V_{OUT2}$ . Neither output is required unless both the ignition and the Radio On/Off switch are on.

#### Stability Considerations

The output or compensation capacitor (Application diagram  $C_2$  and  $C_3$ ) helps determine three main

characteristics of a linear regulator: startup delay, load transient response and loop stability.

The capacitor value and type should be based on cost, availability, size and temperature constraints. A tantalum or aluminum electrolytic capacitor is best, since a film or ceramic capacitor with almost zero ESR can cause instability. The aluminum electrolytic capacitor is the cheapest solution, but, if the circuit operates at low temperatures ( $-25^{\circ}\text{C}$  to  $-40^{\circ}\text{C}$ ), both the value and ESR of the capacitor will vary considerably. The capacitor manufacturers data sheet usually provides this information.

The values for the output capacitors  $C_2$  and  $C_3$  shown in the test and applications circuit should work for most applications, however it is not necessarily the best solution.

To determine acceptable values for  $C_2$  and  $C_3$  for a particular application, start with tantalum capacitors of the recommended value on each output and work towards less expensive alternative parts for each output in turn.

**Step 1:** Place the completed circuit with a tantalum capacitor of the recommended value in an environmental chamber at the lowest specified operating temperature and monitor the outputs on the oscilloscope. A decade box connected in series with the capacitor  $C_2$  will simulate the higher ESR of an aluminum capacitor. (Leave the decade box outside the chamber, the small resistance added by the longer leads is negligible)

**Step 2:** With the input voltage at its maximum value, increase the load current slowly from zero to full load while observing the output for any oscillations. If no oscillations are observed, the capacitor is large enough to ensure a stable design under steady state conditions.

**Step 3:** Increase the ESR of the capacitor from zero using the decade box and vary the load current until oscillations appear. Record the values of load current and ESR that cause the greatest oscillation. This represents the worst case load conditions for the regulator at low temperature.

**Step 4:** Maintain the worst case load conditions set in step 3 and vary the input voltage until the oscillations increase. This point represents the worst case input voltage conditions.

**Step 5:** If the capacitor  $C_2$  is adequate, repeat steps 3 and 4 with the next smaller valued capacitor. (A smaller capacitor will usually cost less and occupy less board space.) If the capacitor oscillates within the range of expected operating conditions, repeat steps 3 and 4 with the next larger standard capacitor value.

**Step 6:** Test the load transient response by switching in various loads at several frequencies to simulate its real work environment. Vary the ESR to reduce ringing.

**Step 7:** Raise the temperature to the highest specified operating temperature. Vary the load current as instructed in step 5 to test for any oscillations.

Once the minimum capacitor value with the maximum ESR is found, a safety factor should be added to allow for the tolerance of the capacitor and any variations in regulator performance. Most good quality aluminum electrolytic capacitors have a tolerance of  $\pm 20\%$  so the minimum value found should be increased by at least 50% to allow for this tolerance plus the variation which will occur at low

temperatures. The ESR of the capacitors should be less than 50% of the maximum allowable ESR found in step 3 above. Once the value for  $C_2$  is determined, repeat the steps to determine the appropriate value for  $C_3$ .

### Calculating Power Dissipation in a Dual Output Linear Regulator

The maximum power dissipation for a dual output regulator (Figure 19) is

$$P_{D(\max)} = (V_{IN(\max)} - V_{OUT1(\min)})I_{OUT1(\max)} + (V_{IN(\max)} - V_{OUT2(\min)})I_{OUT2(\max)} + V_{IN(\max)}I_Q \quad (1)$$

where:

$V_{IN(\max)}$  is the maximum input voltage,

$V_{OUT1(\min)}$  is the minimum output voltage from  $V_{OUT1}$ ,

$V_{OUT2(\min)}$  is the minimum output voltage from  $V_{OUT2}$ ,

$I_{OUT1(\max)}$  is the maximum output current, for the application,

$I_{OUT2(\max)}$  is the maximum output current, for the application, and

$I_Q$  is the quiescent current the regulator consumes at  $I_{OUT(\max)}$ .

Once the value of  $P_{D(\max)}$  is known, the maximum permissible value of  $R_{\theta JA}$  can be calculated:

$$R_{\theta JA} = \frac{150^\circ\text{C} - T_A}{P_D} \quad (2)$$

The value of  $R_{\theta JA}$  can be compared with those in the package section of the data sheet. Those packages with  $R_{\theta JA}$ 's less than the calculated value in equation 2 will keep the die temperature below  $150^\circ\text{C}$ .

In some cases, none of the packages will be sufficient to dissipate the heat generated by the IC, and an external heatsink will be required.

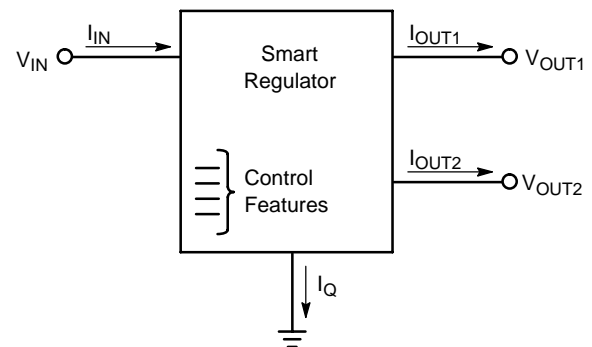


Figure 19. Dual Output Regulator With Key Performance Parameters Labeled.



# CS8161

## Heat Sinks

A heat sink effectively increases the surface area of the package to improve the flow of heat away from the IC and into the surrounding air.

Each material in the heat flow path between the IC and the outside environment will have a thermal resistance. Like series electrical resistances, these resistances are summed to determine the value of  $R_{\theta JA}$ :

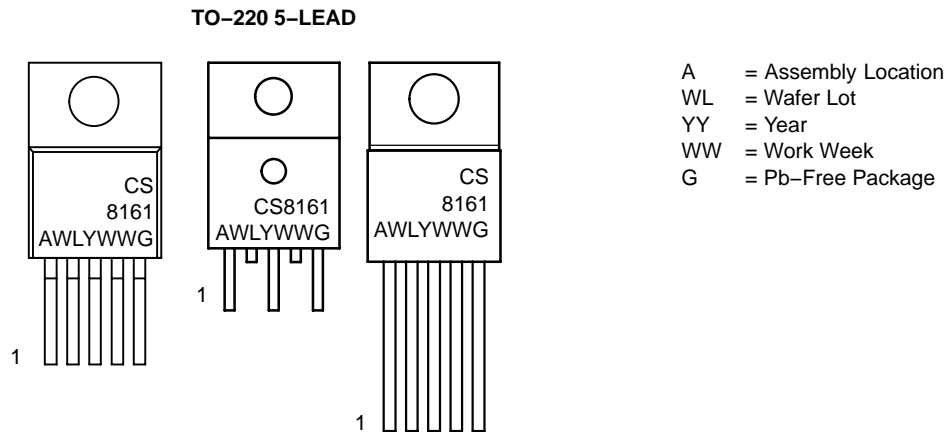
$$R_{\theta JA} = R_{\theta JC} + R_{\theta CS} + R_{\theta SA} \quad (3)$$

where:

- $R_{\theta JC}$  = the junction-to-case thermal resistance,
- $R_{\theta CS}$  = the case-to-heatsink thermal resistance, and
- $R_{\theta SA}$  = the heatsink-to-ambient thermal resistance.

$R_{\theta JC}$  appears in the package section of the data sheet. Like  $R_{\theta JA}$ , it too is a function of package type.  $R_{\theta CS}$  and  $R_{\theta SA}$  are functions of the package type, heatsink and the interface between them. These values appear in heat sink data sheets of heat sink manufacturers.

## MARKING DIAGRAMS



## ORDERING INFORMATION\*

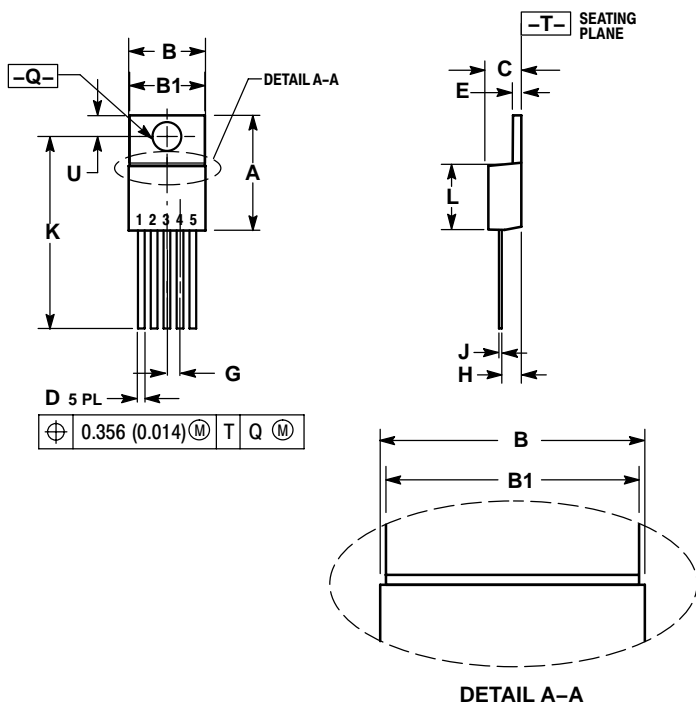
Device	Package	Shipping
CS8161YT5	TO-220 STRAIGHT	50 Units / Rail
CS8161YT5G	TO-220 STRAIGHT (Pb-Free)	
CS8161YTVA5	TO-220 VERTICAL	
CS8161YTVA5G	TO-220 VERTICAL (Pb-Free)	
CS8161YTHA5	TO-220 HORIZONTAL	
CS8161YTHA5G	TO-220 HORIZONTAL (Pb-Free)	

\*Consult your local sales representative for SO-16L package option.

# CS8161

## PACKAGE DIMENSIONS

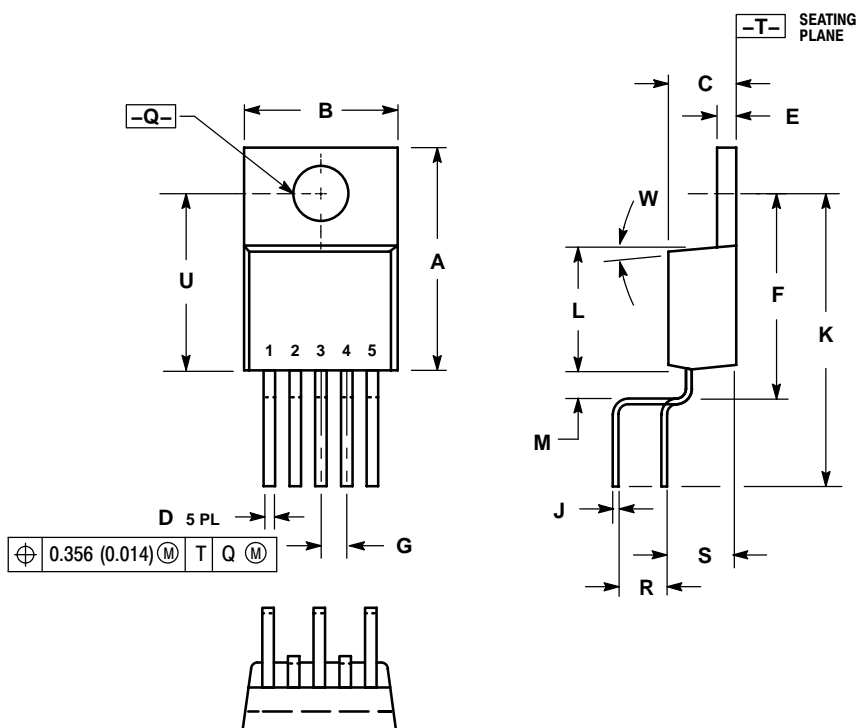
TO-220  
CASE 314D-04  
ISSUE F



- NOTES:
1. DIMENSIONING AND TOLERANCING PER ANSI Y14.5M, 1982.
  2. CONTROLLING DIMENSION: INCH.
  3. DIMENSION D DOES NOT INCLUDE INTERCONNECT BAR (DAMBAR) PROTRUSION. DIMENSION D INCLUDING PROTRUSION SHALL NOT EXCEED 10.92 (0.043) MAXIMUM.

DIM	INCHES		MILLIMETERS	
	MIN	MAX	MIN	MAX
A	0.572	0.613	14.529	15.570
B	0.390	0.415	9.906	10.541
B1	0.375	0.415	9.525	10.541
C	0.170	0.180	4.318	4.572
D	0.025	0.038	0.635	0.965
E	0.048	0.055	1.219	1.397
G	0.067 BSC		1.702 BSC	
H	0.087	0.112	2.210	2.845
J	0.015	0.025	0.381	0.635
K	0.977	1.045	24.810	26.543
L	0.320	0.365	8.128	9.271
Q	0.140	0.153	3.556	3.886
U	0.105	0.117	2.667	2.972

TO-220  
TVA SUFFIX  
CASE 314K-01  
ISSUE O



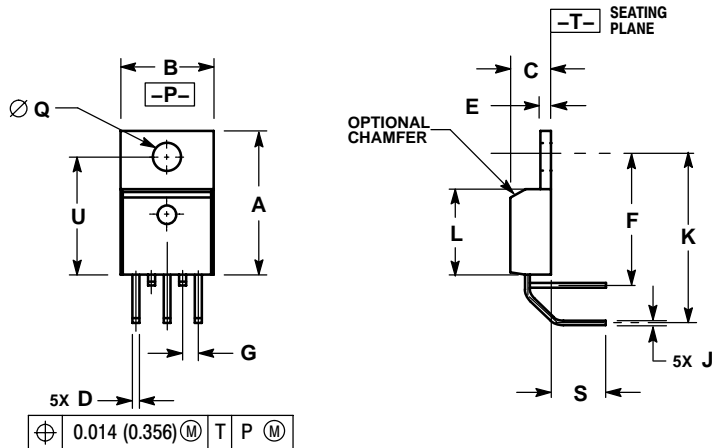
- NOTES:
1. DIMENSIONING AND TOLERANCING PER ANSI Y14.5M, 1982.
  2. CONTROLLING DIMENSION: INCH.
  3. DIMENSION D DOES NOT INCLUDE INTERCONNECT BAR (DAMBAR) PROTRUSION. DIMENSION D INCLUDING PROTRUSION SHALL NOT EXCEED 10.92 (0.043) MAXIMUM.

DIM	INCHES		MILLIMETERS	
	MIN	MAX	MIN	MAX
A	0.560	0.590	14.22	14.99
B	0.385	0.415	9.78	10.54
C	0.160	0.190	4.06	4.83
D	0.027	0.037	0.69	0.94
E	0.045	0.055	1.14	1.40
F	0.530	0.545	13.46	13.84
G	0.067 BSC		1.70 BSC	
J	0.014	0.022	0.36	0.56
K	0.785	0.800	19.94	20.32
L	0.321	0.337	8.15	8.56
M	0.063	0.078	1.60	1.98
Q	0.146	0.156	3.71	3.96
R	0.271	0.321	6.88	8.15
S	0.146	0.196	3.71	4.98
U	0.460	0.475	11.68	12.07
W	5°		5°	

# CS8161

## PACKAGE DIMENSIONS

TO-220  
THA SUFFIX  
CASE 314A-03  
ISSUE E



### NOTES:

1. DIMENSIONING AND TOLERANCING PER ANSI Y14.5M, 1982.
2. CONTROLLING DIMENSION: INCH.
3. DIMENSION D DOES NOT INCLUDE INTERCONNECT BAR (DAMBAR) PROTRUSION. DIMENSION D INCLUDING PROTRUSION SHALL NOT EXCEED 0.043 (1.092) MAXIMUM.

DIM	INCHES		MILLIMETERS	
	MIN	MAX	MIN	MAX
A	0.572	0.613	14.529	15.570
B	0.390	0.415	9.906	10.541
C	0.170	0.180	4.318	4.572
D	0.025	0.038	0.635	0.965
E	0.048	0.055	1.219	1.397
F	0.570	0.585	14.478	14.859
G	0.067 BSC		1.702 BSC	
J	0.015	0.025	0.381	0.635
K	0.730	0.745	18.542	18.923
L	0.320	0.365	8.128	9.271
Q	0.140	0.153	3.556	3.886
S	0.210	0.260	5.334	6.604
U	0.468	0.505	11.888	12.827

### PACKAGE THERMAL DATA

Parameter		TO-220 FIVE LEAD	Unit
$R_{\theta JC}$	Typical	2.0	$^{\circ}\text{C/W}$
$R_{\theta JA}$	Typical	50	$^{\circ}\text{C/W}$

ON Semiconductor and are registered trademarks of Semiconductor Components Industries, LLC (SCILLC). SCILLC reserves the right to make changes without further notice to any products herein. SCILLC makes no warranty, representation or guarantee regarding the suitability of its products for any particular purpose, nor does SCILLC assume any liability arising out of the application or use of any product or circuit, and specifically disclaims any and all liability, including without limitation special, consequential or incidental damages. "Typical" parameters which may be provided in SCILLC data sheets and/or specifications can and do vary in different applications and actual performance may vary over time. All operating parameters, including "Typicals" must be validated for each customer application by customer's technical experts. SCILLC does not convey any license under its patent rights nor the rights of others. SCILLC products are not designed, intended, or authorized for use as components in systems intended for surgical implant into the body, or other applications intended to support or sustain life, or for any other application in which the failure of the SCILLC product could create a situation where personal injury or death may occur. Should Buyer purchase or use SCILLC products for any such unintended or unauthorized application, Buyer shall indemnify and hold SCILLC and its officers, employees, subsidiaries, affiliates, and distributors harmless against all claims, costs, damages, and expenses, and reasonable attorney fees arising out of, directly or indirectly, any claim of personal injury or death associated with such unintended or unauthorized use, even if such claim alleges that SCILLC was negligent regarding the design or manufacture of the part. SCILLC is an Equal Opportunity/Affirmative Action Employer. This literature is subject to all applicable copyright laws and is not for resale in any manner.

### PUBLICATION ORDERING INFORMATION

**LITERATURE FULFILLMENT:**  
Literature Distribution Center for ON Semiconductor  
P.O. Box 5163, Denver, Colorado 80217 USA  
**Phone:** 303-675-2175 or 800-344-3860 Toll Free USA/Canada  
**Fax:** 303-675-2176 or 800-344-3867 Toll Free USA/Canada  
**Email:** orderlit@onsemi.com

**N. American Technical Support:** 800-282-9855 Toll Free  
USA/Canada  
**Europe, Middle East and Africa Technical Support:**  
Phone: 421 33 790 2910  
**Japan Customer Focus Center**  
Phone: 81-3-5773-3850

**ON Semiconductor Website:** [www.onsemi.com](http://www.onsemi.com)  
**Order Literature:** <http://www.onsemi.com/orderlit>

For additional information, please contact your local Sales Representative